

# Octavia RGB

High power LED strip light

## FEATURES

- RGB Colour Changing
- Powered by Luxeon Rebel™
- Weatherproof option to IP67
- Unique tilting bracket system
- Ideal for wall washing applications

## DESCRIPTION

The Octavia is a linear light unit designed for indoor or outdoor use.

Available with 18 or 36 high power LUXEON REBEL LED's in an RGB configuration for colour changing applications.

This unit can be mounted to walls, floors or ceilings using a unique bracketing system that offers a tilt or a fixed locking function.

The Octavia is available in an IP67 option for outdoor applications.

## LIGHTING PERFORMANCE

Model	Light Source	LED Qty	Lumen Output	Expected Lifetime
600mm	Luxeon Rebel	18	774 typical	50,00hrs +
1200mm	Luxeon Rebel	36	1548 typical	50,00hrs +

## INPUT DATA

Model	Drive Current	Input Voltage	Power Supply Type	Input Connection
600mm	350mA	N/A	Constant Current RGB	RJ45 (2.5M Lead)
1200mm	350mA	N/A	Constant Current RGB	RJ45 (2.5M Lead)

## OPERATING DETAILS

Model	LED Drive Current	Ambient Temp Range
600mm	350mA per channel	-10 to +40 Degrees C
1200mm	350mA per channel	-10 to +40 Degrees C

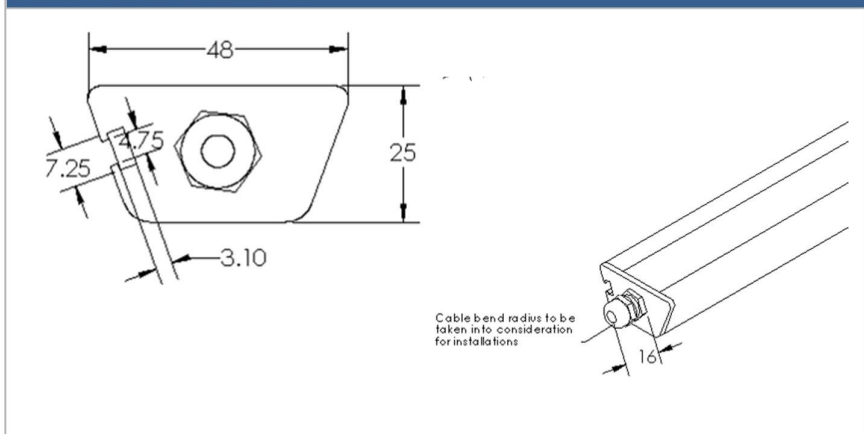
## PHYSICAL DETAILS

Model	Mounting Type	Finish	Ingress Protection
600mm	Adjustable Bracket	Matt Silver Anodising	IP50 / IP67
1200mm	Adjustable Bracket	Matt Silver Anodising	IP50 / IP67

## OPTIONS

Model	IP Rating	Optic (degrees)
600mm	IP50 or IP67 (to be specified at time of order)	6, 15, 25, 40, Oval(5x25)
1200mm	IP50 or IP67 (to be specified at time of order)	6, 15, 25, 40, Oval(5x25)

## MECHANICAL DIMENSIONS



## RECCOMENDED DRIVERS

Model
DMX350mA-36