

Leda

Mini Spot Light



FEATURES

- Integrated rotating bracket
- Powered by Luxeon Rebel™
- Ideal for detailing applications
- 700mA max drive current
- Tough & durable machined aluminium housing.

DESCRIPTION

The Leda is a compact high power single LED fitting.

Available in many different colours, the Leda enables the or architect to create effects and moods to suit the application.

The fitting is IP67 rated for in or outdoor use.

Installation is via a single fix swivel bracket that helps direct the beam to the desired angle.

A range of optics or frosted glass are available.

A ground spike is also available for soft ground installations.

LIGHTING PERFORMANCE			
Light Source	LED Qty	Lumen Output	Expected Lifetime
Luxeon Rebel	1	73.5 @ 350mA	50,00hrs +

N.B. Lumen values quoted on Cool white (6500k)

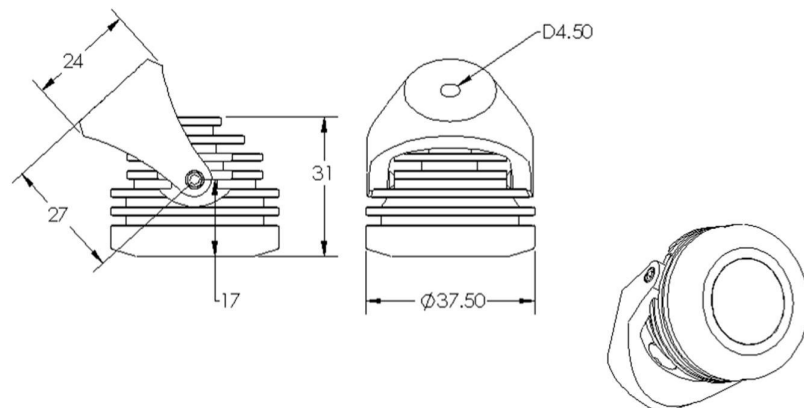
INPUT DATA			
Drive Current	Input Voltage	Power Supply Type	Input Connection
350-700mA	N/A	Constant Current Drive	0.5m Flying Lead

OPERATING DETAILS	
Input power	Ambient Temp Range
1.2W @ 350mA / 2.5W @ 700mA	-10 to +40 Degrees C

PHYSICAL DETAILS		
Mounting Type	Finish	Ingress Protection
Aluminium Rotating Bracket	Matt Silver Anodising	IP65

OPTIONS	
Single LED Colours	Optic
Red, Green, Blue, Amber, Cool White, Neutral White, Warm White	Frosted, 6, 15, 25, 40 degree

MECHANICAL DIMENSIONS



RECOMMENDED DRIVERS	
Model	
D1CC350-1-0IP67	
D10CC700-1-4	