

# AR111 Retrofit

AR111 lamp replacement



## Features

- AR111 Lamp Replacement
- Powered by Luxeon Rebel™
- High-efficiency design to meet Part L applications
- Option of On-Board Drive with thermal feedback
- 350mA or 700mA drive currents
- Tough and durable machined aluminium housing

## Description

The AR111 Retrofit is a compact 8-LED fitting suited to multiple downlighting applications, incorporating Luxeon Rebel™ LED Technology. IP67 option is available upon request, for outdoor use.

The unit is available in an on-board drive version (to be driven with a constant-voltage 12V-30V DC power supply) or in an LED only version (to be driven with constant-current driver).

It has been designed with excellent thermal properties and efficiency in mind. Used with the correct driver, this will meet Part L requirements.

Typical applications for the AR111 Retrofit include retail display lighting, office and workshop lighting, residential, hotel, bar and club environments.

The AR111 Retrofit is designed to fit into a standard AR111 housing and is available in various colours, including Cool White, Neutral White and Warm White.

### RECOMMENDED DRIVERS

Constant Current	Constant Voltage
D18CC350-4-14IP67	D6CV12
D36CC700-4-14IP67	D100CV12

### LIGHTING PERFORMANCE

Model	Light Source	LED Qty	Lumen Output	Expected Lifetime
350mA	Luxeon Rebel	8	760 @ 350mA	50,000hrs +
700mA	Luxeon Rebel	8	1280 @ 700mA	50,000hrs +

NB: Lumen values quoted on Cool White (6500°K)

### INPUT DATA (On-Board Drive)

Model	Approx. Power Consumption	Input Voltage	Power Supply Type	Input Connection
350mA	11.2W	12-30V DC	Constant Voltage DC	Flying Lead
700mA	20W	12-30V DC	Constant Voltage DC	Flying Lead

### INPUT DATA (Non On-Board Drive)

Model	Approx. Power Consumption	Input Voltage	Power Supply Type	Input Connection
350mA	11.2W	N/A	Constant Current Driver	Flying Lead
700mA	20W	N/A	Constant Current Driver	Flying Lead

### OPERATING DETAILS

LED Input Power	Ambient Temperature Range
9.6W @ 350mA / 18W @ 700mA	-10 to +40 Degrees C

### PHYSICAL DETAILS

Mounting Type	Finish	Ingress Protection
AR111 Fitting	Matt Black Anodising	IP67 available on request

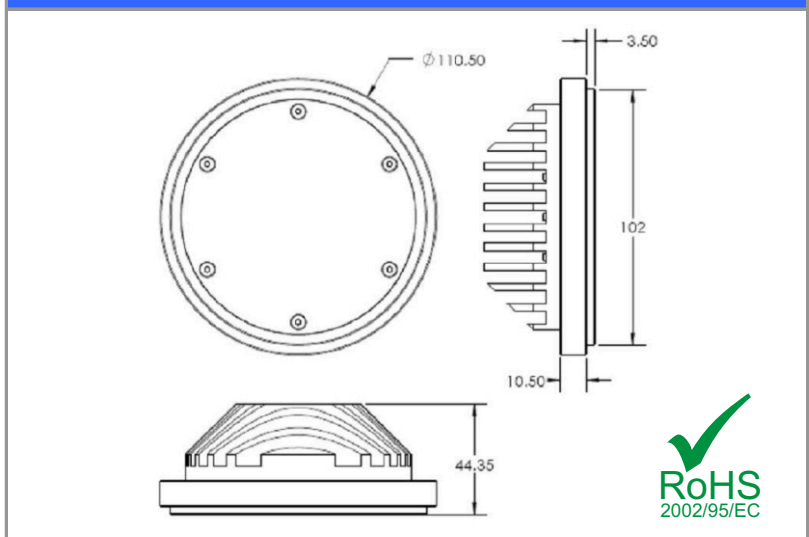
### OPTIONS

Single LED Colours	Optic
Red, Green, Blue, Amber, Cool White, Neutral White, Warm White	6, 15, 25, 40 Degrees

### DRIVE LIMITATIONS

Model	Max. number of Units per Driver	
	D18CC350-4-14IP67	D36CC700-4-14IP67
350mA (LED Only)	1	----
700mA (LED Only)	----	1
Model	D6CV12	D100CV12
350mA (On-Board Drive)	5	8
700mA (On-Board Drive)	3	5

### MECHANICAL DIMENSIONS



We reserve the right to make changes at any time in order to maintain the highest product quality.