

6-LED Downlighter

Recessed downlighter for general lighting applications



Features

- No additional fittings required
- Powered by Luxeon Rebel™
- High-efficiency design to meet Part L applications
- 350mA drive current
- Tough and durable machined aluminium housing

Description

The 6-LED Downlighter is a compact LED fitting suited to multiple downlighting applications and incorporating Luxeon Rebel™ LED Technology.

It has been designed with excellent thermal properties and efficiency in mind. Used with the correct driver, this will meet Part L requirements.

Typical applications for the 6-LED Downlighter include retail display lighting, office and workshop lighting, residential, hotel, bar and club environments.

The 6-LED Downlighter has a built-in gimbal to give a wide range of adjustment. A range of anodised finishes are also available on request. Orion is the latest innovative design incorporating Luxeon Rebel™ LED Technology.

RECOMMENDED DRIVER

Model
D18CC350-4-14IP67

LIGHTING PERFORMANCE

Model	Light Source	LED Qty	Lumen Output	Expected Lifetime
Warm White	Luxeon Rebel	6	370 @ 350mA	50,000hrs +

NB: Lumen values quoted on Warm White (3000°K)

INPUT DATA

Drive Current	Input Voltage	Power Supply type	Input Connection
350mA	N/A	Constant Current Drive	500mm Flying Lead

OPERATING DETAILS

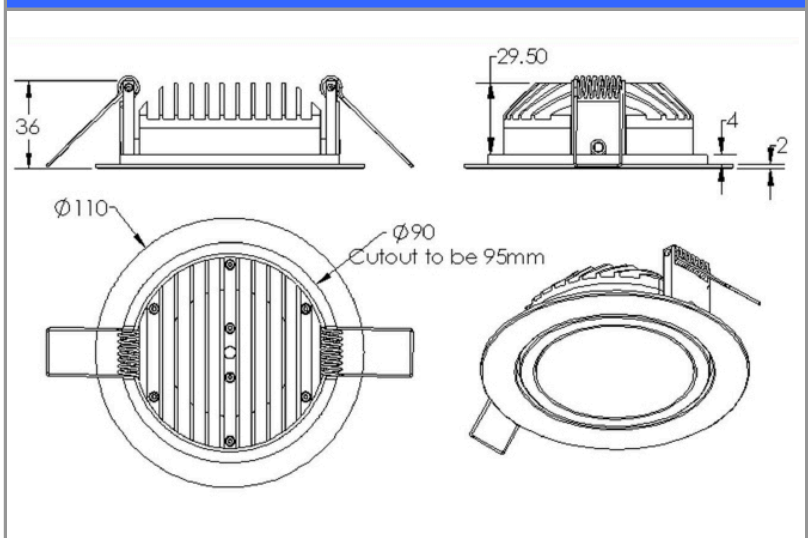
Input Power	Ambient Temperature Range
7.2W @ 350mA	-10 to +40 Degrees C

PHYSICAL DETAILS

Mounting Type	Finish	Ingress Protection
Spring Clip	Matt Silver Anodising	N/A

Single LED Colours	RGB	Optic
Red, Green, Blue, Amber, Cool White, Neutral White	Yes	6, 15, 25, 40 Degrees

MECHANICAL DIMENSIONS



We reserve the right to make changes at any time in order to maintain the highest product quality.